

Features

Connect additional remote microphones to a Simplex® 4100ES or 4100U fire alarm audio control panel:

- Each 4100-1274 Microphone Multiplex Module converts a single microphone input to support up to eight (8) remote microphones
- Up to 40 remote microphones can be connected per audio controller (see compatibility below)
- Allows additional remote microphones for applications such as UFC (Unified Facilities Criteria) requirements for Mass Notification systems for Navy and Air Force requiring a microphone interface within 200 ft (61 m) of travel within a building
- Refer to UFC-4-021-01, 9 April, 2008 for details (Note: Remote microphones and associated controls have specific operation and enclosure requirements per this document)

Compatibility:

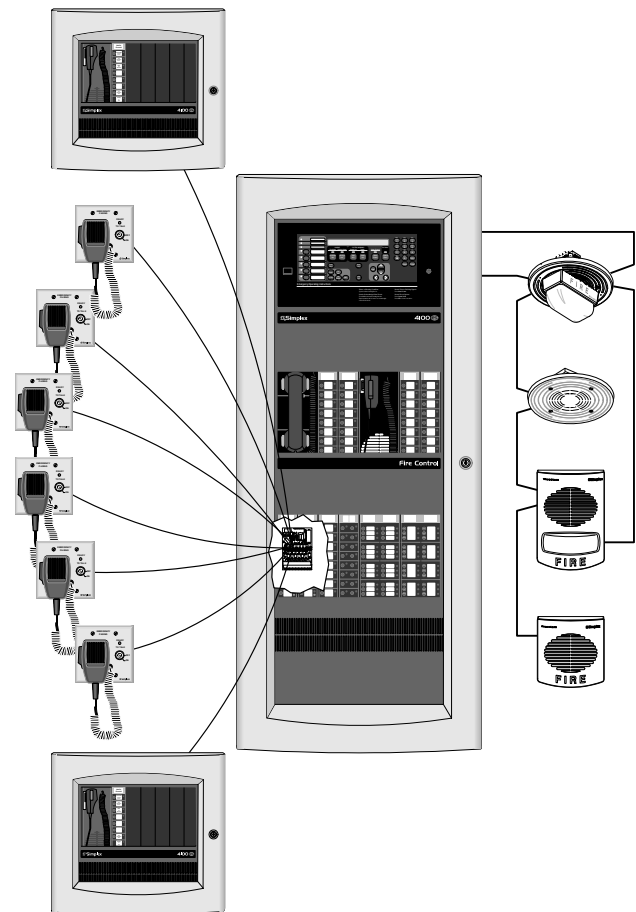
- Connect one (1) 4100-1274 to the remote microphone input of either a Digital Audio Controller (Model 4100-1311 or 4100-1211) or an Analog Audio Controller (Model 4100-1210)
- Connect up to two (2) 4100-1274 Microphone Multiplex Modules to a 4100-1240 Auxiliary Audio Input Module (inputs 3 and 4)
- Up to two (2) 4100-1240 modules are supported per audio controller

Compatible microphones:

- Model 4100-1244, panel mounted microphone (located in Remote Annunciator)
- Model 4003-9803, remote microphone with control; requires wiring connections to a 24-Point I/O Module (Model 4100-1290) in the audio control panel
- Other compatible standard or noise cancelling microphones (each microphone on a 4100-1274 Module needs to be the same type)

Module details:

- Individual remote microphone wiring and PTT (push-to-talk) switch wiring is monitored by the 4100-1274 module
- An on-board IDNet Supervised IAM monitors module status (requires one IDNet address and one unit load)
- On-board module diagnostic LEDs indicate Open, Short, + Earth, - Earth per microphone; IAM LED indicates communication status with fire alarm control panel
- On-board earth detection circuit
- UL Listed to Standard 864



4100ES Audio System with 4100-1274 Microphone Multiplex Module and 8 Remote Microphones; 6, Model 4003-9803 Remote Microphones and 2 (single bay) Remote Annunciators with Remote Microphone

Description

Additional Remote Microphones. Standard 4100ES and 4100U Audio systems support up to five (5) remote microphones. For applications requiring more convenient access to remote microphone control, the 4100-1274 Microphone Multiplex Module allows up to eight (8) remote microphones to connect to each standard remote microphone input.

Up to 40 Remote Microphones. With two, 4100-1240 Auxiliary Audio Input Modules connected, and five total 4100-1274 Microphone Multiplex Modules, a total of 40 Remote Microphones are supported.

* This product has been approved by the California State Fire Marshal (CSFM) pursuant to Section 13144.1 of the California Health and Safety Code. See CSFM Listing 7165-0026:251 for allowable values and/or conditions concerning material presented in this document. Accepted for use – City of New York Department of Buildings – MEA35-93E. Additional listings may be applicable; contact your local Simplex product supplier for the latest status. Listings and approvals under Simplex Time Recorder Co. are the property of Tyco Safety Products Westminster.

Product Selection

Model	Description
4100-1274	Microphone Multiplex Module
4003-9803	Remote Microphone with on/off switch and ready-to-talk LED; control wiring connects to a 4100-1290, 24 Point I/O module in the audio control panel

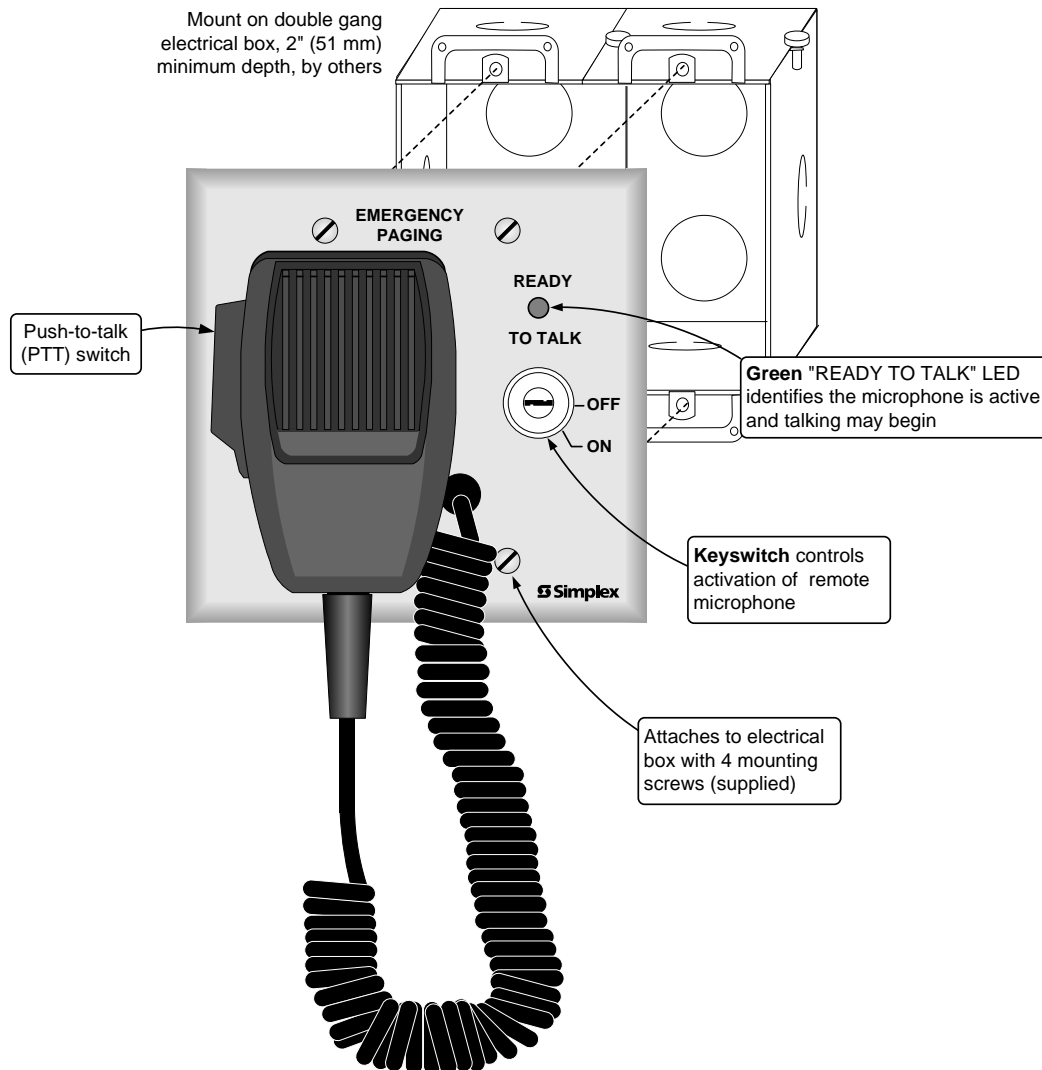
Installation Instruction Reference

Document	Description
579-879	4100-1274 Microphone Mux Module Installation Instructions
579-881	4003-9803 Remote Microphone Assembly Installation Instructions

Additional Product Reference

Product	Data Sheet
4100ES Basic Panel Modules and Accessories	S4100-0031
4100ES Emergency Voice/Alarm Communications Equipment	S4100-0034
4100ES Remote Annunciator Panels	S4100-0038

4003-9803 Remote Microphone Reference



4100-1274 Specifications

4100-1274, Microphone Multiplex Module

4100-1274 Module size	One 4 x 5 block module	
4100-1274 Mounting Location	Mount either in same cabinet or close-ripped to the cabinet housing the Audio Controller or Auxiliary Audio Input Module	
Compatible Remote Microphone Input Sources	Digital Audio Controller Models, 4100-1311 or 4100-1211	
	Analog Audio Controller Model, 4100-1210	
	Auxiliary Audio Input Module, Model 4100-1240	
Auxiliary Audio Input Module Details	Connect to remote microphone outputs 3 and 4	
	Up to two 4100-1240 Auxiliary Audio Input Modules can be connected to a compatible Audio Controller Module	
Input Voltage	24 VDC system power	
Supervisory Current	No microphones active	171 mA
	1 microphone active	219 mA
	1 microphone active and keyed	258 mA
	Additional <u>keyed</u> microphones	Add 39 mA for each keyed microphone
	On-Board Supervised IAM	570 μ A, supplied by IDNet Signaling Line Circuit (SLC)
Audio Wiring Information (requires field wiring)	Connection between Microphone Multiplex Module and Remote Microphone Input	Use twisted, shielded pair (TSP) wiring to Audio Controller or Auxiliary Audio Input Module
	Remote Microphone Wiring	18 AWG (0.82 mm ²), TSP
	Remote Microphone Distance	4000 ft maximum (1220 m)
On-Board Supervised IAM Details and Wiring Information (requires field wiring)		Requires one IDNet address and one IDNet unit load; address is switch selected on-board
		Connect to the control panel IDNet communications source desired; wire using 18 AWG twisted pair

4003-9803 Remote Microphone

Power	24 VDC, system power from 4100-1290, 24 Point I/O Module
Current	25 mA maximum in use
Wiring	18 AWG (0.82 mm ²), twisted, shielded pair (TSP) for microphone; 5 control wires for keyswitch, PTT switch, and LED control

General Environmental Specifications

Operating Temperature	32° to 120° F (0° to 49° C)
Operating Humidity Range	Up to 93% RH, non-condensing @ 90° F (32° C)

TYCO, SIMPLEX, and the product names listed in this material are marks and/or registered marks. Unauthorized use is strictly prohibited.



Tyco Fire Protection Products • Westminster, MA • 01441-0001 • USA
www.simplexgrinnell.com

S4100-0053-2 4/2013

© 2013 Tyco Fire Protection Products. All rights reserved. All specifications and other information shown were current as of document revision date and are subject to change without notice.